



RATCH TAG

Easily Apply RFID to Cables, Wires and Countless Other Things

SMARTRAC RATCH TAG is the industry's first RFID enabled cable tie with fully integrated RFID tags. Available for HF and UHF frequency bands, RATCH TAG offers superior compactness, robustness and, hence, flexible deployment in a wide variety of use cases where quick, secure and durable identification of parts or asset control of critical equipment is required.

RATCH TAG's RFID component is securely concealed on the inside surface of the outer tag housing. This ensures that the RFID component is not only bonded in to the housing but that it is mechanically retained within a Nylon material engineered for extreme durability and strength. The high quality crystalline polyamide material supports use in some of the most demanding of industrial environments while the high quality single use ratchet mechanism helps to prevent easy removal and decreases the risk of unseen tampering.

SMARTRAC RATCH TAG is equipped with ICs from leading manufacturers and compliant to either ISO 15693 (HF) or ISO 18000-6c EPC Class 1 Gen 2 (UHF/RAIN) standards, RATCH TAG cable ties are available in high-volume for HF and UHF (RAIN) frequency bands. In both bands, a focused and short read range ensures single tag detection and effectively eliminates multiple tag reads. Currently available in black or highly visible yellow, RATCH TAGS come in 195mm x 4.6mm format with a maximum width of 8.5mm for the RFID element.

Overview

Operating Frequency

13.56 MHz (HF)
860 - 960 MHz (UHF)

Operating Temperature

-20°C to +85°C

Material

PA66

Integrated Circuit (IC)

- ▶ NXP ICODE SLIX (HF)
- ▶ Impinj Monza 5 (UHF)

International Standards

- ▶ ISO 15693
- ▶ ISO 18000-6C EPC Class 1 Gen 2
- ▶ ISO 14443-A / NFC Forum

Application Areas

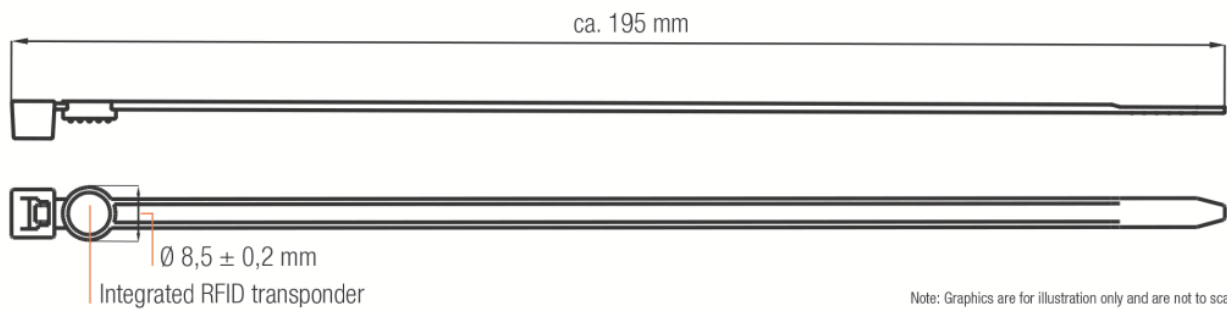
- ▶ Automotive
- ▶ Animal Identification
- ▶ Industrial Applications
- ▶ Leisure & Entertainment
- ▶ Safety & Certification Inspections
- ▶ Supply Chain & Asset Management

RATCH TAG

Easily Apply RFID to Cables, Wires and Countless Other Things

Product	Dimension	Available IC*	Packaging	Product Code*
RATCH TAG (HF)	195 x 8.5 mm	NXP ICODE SLIX	100 pcs / zip bag & 5 zip bags / box	840722 (black) 840723 (yellow)
RATCH TAG (UHF)	195 x 8.5 mm	Impinj Monza 5	100 pcs / zip bag & 5 zip bags / box	875722 (black) 875723 (yellow)

*Note: Other ICs upon request.



Note: Graphics are for illustration only and are not to scale.